

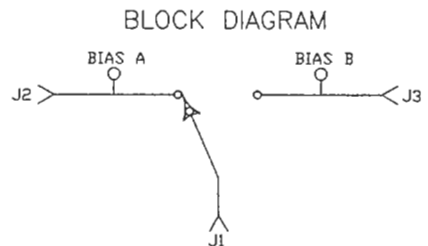
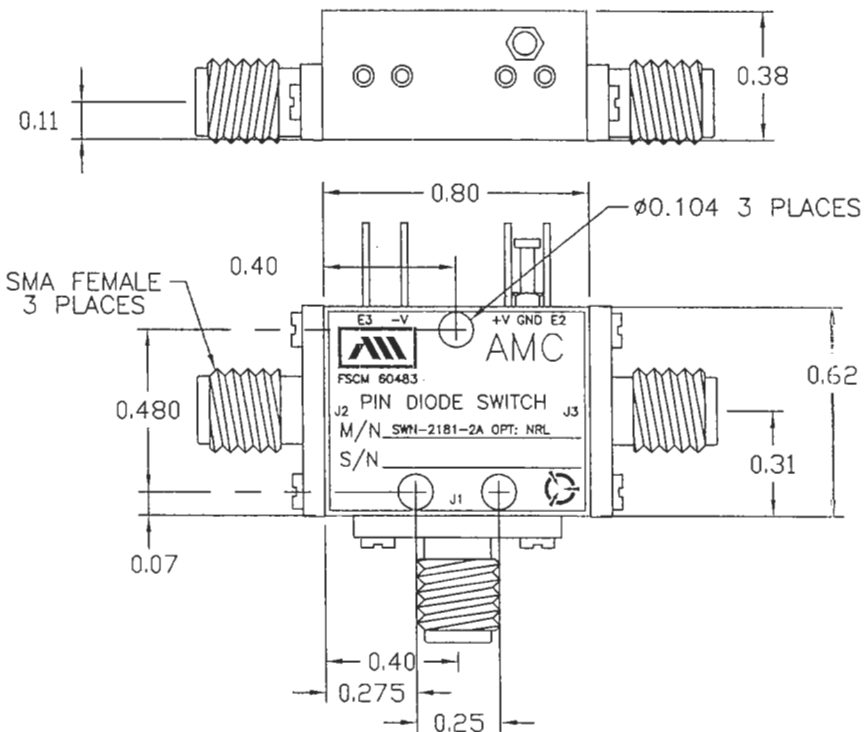
DESCRIPTION:

AMC MODEL NUMBER SWN-2181-2A OPTION NRL IS A REFLECTIVE SINGLE POLE DOUBLE THROW PIN DIODE SWITCH. DESIGNED FOR 2 GHz TO 18 GHz FREQUENCY RANGE.

REVISIONS				
ZONE	REV.	DESCRIPTION	DATE	APPROVED
		- ORIGINAL RELEASE, JOB# 909159E	11/06/03	

SPECIFICATIONS:

- FREQUENCY: 2 GHz TO 18 GHz
- INSERTION LOSS: 2 GHz TO 4 GHz: 1.3 dB MAXIMUM
4 GHz TO 8 GHz: 1.8 dB MAXIMUM
8 GHz TO 12 GHz: 2.3 dB MAXIMUM
12 GHz TO 18 GHz: 2.9 dB MAXIMUM
- ISOLATION: 2 GHz TO 18 GHz: 50 dB MINIMUM
- VSWR: 1.8:1
- SPEED: RISE: 75 nS MAXIMUM
FALL: 75 nS MAXIMUM
- POWER INPUT: (CW)+20dBm (STANDARD), +10 dBm (HIGH SPEED)
- SURVIVAL POWER: 1 WATT CW, 10 WATTS PEAK 1 usec
- CONTROL: TTL LOGIC "0"=ON, J1-J2 "1"=OFF, J1-J3
- POWER SUPPLY: +5V @ 65 mA MAXIMUM
-5V @ 50 mA MAXIMUM



ENVIRONMENTAL RATINGS:

- TEMPERATURE: -55°C TO +85°C (OPERATING)
-65°C TO +125°C (STORAGE)
- HUMIDITY: MIL-STD-202F, METHOD 103B COND. B
- SHOCK: MIL-STD-202F, METHOD 213B COND. B
- VIBRATION: MIL-STD-202F, METHOD 204D COND. B
- ALTITUDE: MIL-STD-202F, METHOD 105C COND. B
- TEMPERATURE CYCLE: MIL-STD-202F, METHOD 107D COND. A

NOTE: SPECIFICATIONS WILL VARY OVER OPERATING TEMPERATURE
NOTE: THE ABOVE SPECIFICATIONS ARE SUBJECT TO CHANGE OR REVISION

ALL DIMENSIONS ARE IN INCHES
TOLERANCES:
X.XX ±0.020
X.XXX ±0.010

PART NO.		AMERICAN MICROWAVE CORPORATION FREDERICK, MARYLAND		
APPROVALS	DATE	TITLE		
WJES	11/06/03	PRODUCT FEATURE SWN-2181-2A OPTION NRL		
REDRAWN	8/17/04	2 TO 18 GHz SINGLE POLE TWO THROW SWITCH		
ISSUED	8/21/04	SIZE	FSCM NO.	DWG NO.
LA		A	60483	100-6835
		SCALE N:S	SHEET 1 of 3	